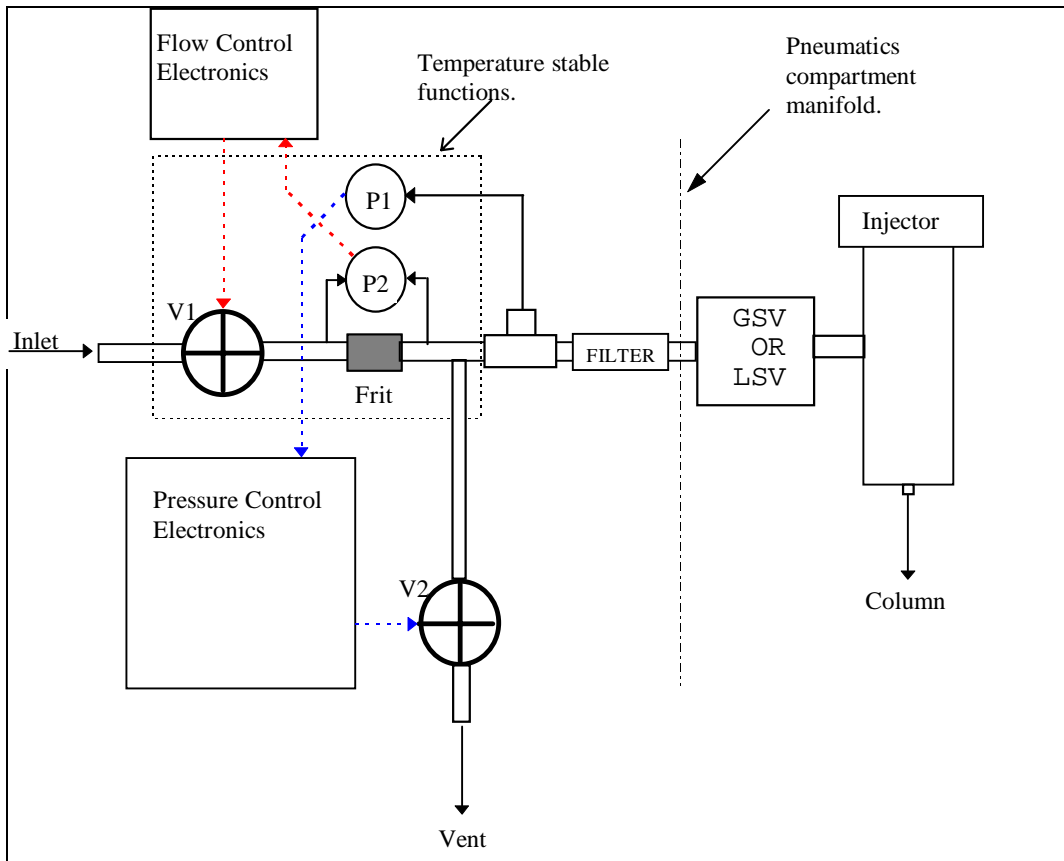


Type 4 EFC with sample loop systems.



Notes:

1. The Type 4 EFC controller was intended for this application and requires no modification.
2. The injector must be the "manual" version of the 1040/41/60/61 so that it does not have a pressure sense line added.
3. A pressure drop error will occur between the Pneumatics manifold and the injector. This will cause errors in the software computation of column flow rate.